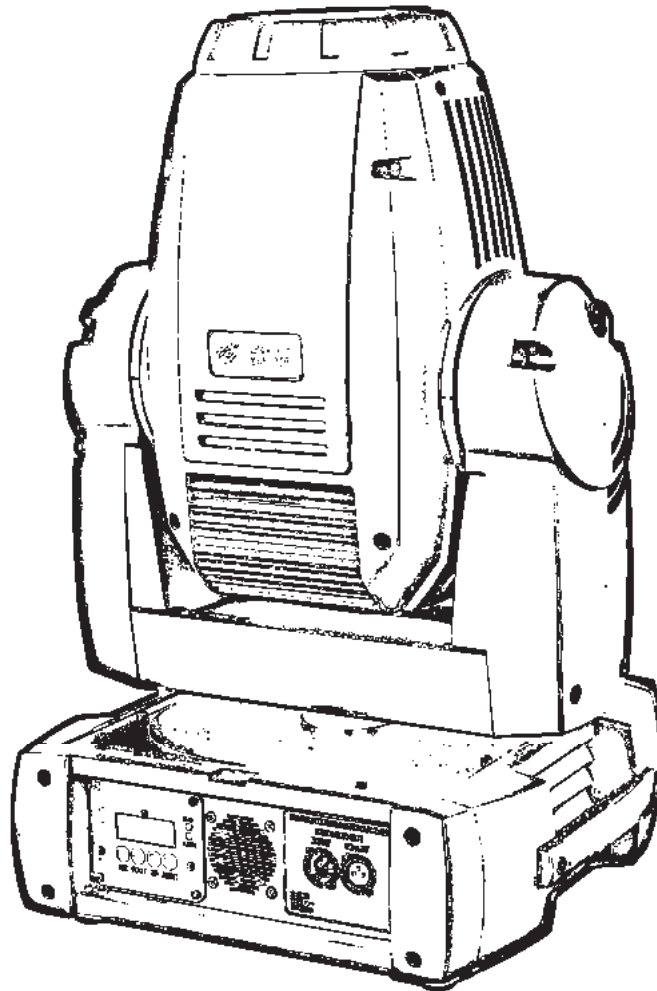


USER MANUAL



575_w MOVING HEAD LIGHT (21 CHANNELS)

Please read over this manual before operating the light



Professional Stage Lighting

Congratulations on choosing our light! This equipment is powerful in functions with CE Standard. It has been tested through frequent practice in different cases, and well recognized by professional designers in the field of stage light. It fully shows the modern times light characteristic with good performance. It can be used in all kinds of scenes which need high quality lighting.

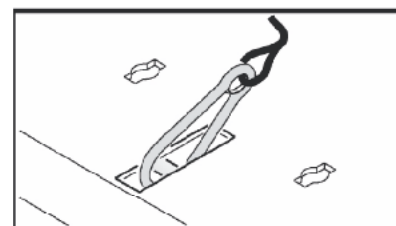
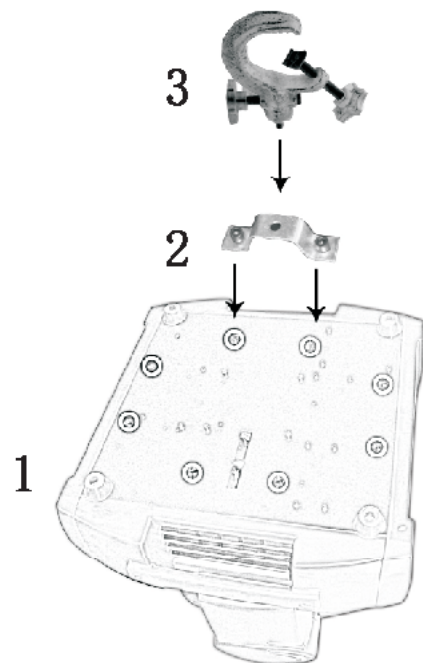
Please read this manual carefully before powering or installing the fixture, follow the safety precautions listed below and observe all warnings in this manual.

Warning: Always disconnect from mains supply before replacing the lamp.

- 1, Disconnect the fixture from AC power before removing or installing the lamp, fuses, or any part, and when not in use.
- 2, Always make the fixture connected to the ground electrically.
- 3, Do not expose the fixture to rain or moisture.

INSTALL THE FIXTURE

1. Make sure that the point of fixing is stable before positioning the light. It must bear more than 10 multiple of the light weight.
2. Use two special M8 bolts to fix the fixed-screw, which is in the projector's soleplate, ensure projector can't fall. And, must use rope to tie the projector's handle and other fixing-points when you fix them.
3. When positioning the projector, the distance between the objects that beam hit and the lens of projector should keep more than 1 meter. And the minimum distance from the surface of projector to any flammable material should be at least 0.5 meters. In order to ensure the light working normally and stably, the ambient temperature must not exceed 35 °



Lamp: 575w

Channels: 21

Gobo wheel:

Static Gobo wheel: 5 gobos + open

Rotation Gobo wheel: 4 gobos + open

Color wheel: 5 colors + open, 7 colors + open

Prism wheel 1: 4-facet prism + 2-facet prism

Prism wheel 2: Color Temperature Filter + Frost

Extended Mode, 21channels:

Channel 1, Shutter, Strobe, Reset

Channel 2, Coarse Dimmer

Channel 3, Color Wheel 1

Channel 4, Color Wheel 2

Channel 5, Gobo Wheel 1

Channel 6, Gobo Wheel 1, Coarse Rotation

Channel 7, Gobo Wheel 1, Fine Rotation

Channel 8, Gobo Wheel 2

Channel 9, Gobo Color Macros

Channel 10, Gobo Animation Angle and Function

Channel 11, Gobo Animation Wheel, Angle/Speed

Channel 12, Prism

Channel 13, Prism Rotation

Channel 14, Iris

Channel 15, Focus

Channel 16, Pan

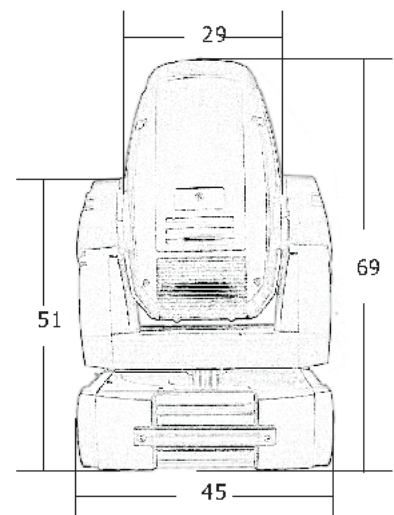
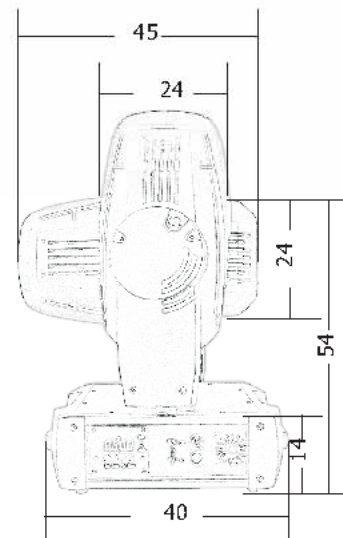
Channel 17, Tilt

Channel 18, Pan Fine

Channel 19, Tilt Fine

Channel 20, Pan/Tilt Speed

Channel 21, Effect Speed



Basic Mode, 16 channels:

Channel 1: Strobe, Reset, Shutter

Channel 2: Dimming

Channel 3: Color wheel 1, Rainbow effect

Channel 4: Color wheel 2, Rainbow effect

Channel 5: Gobo Selection, Shake, Gobo Rainbow effect

Channel 6: Gobo Rotation

Channel 7: Static Gobo Wheel, Gobo Rainbow effect

Channel 8: Animation Gobo Rotation

Channel 9: Prism, Prism Rotation

Channel 10: Iris

Channel 11: Focus

Channel 12: Pan

Channel 13: Tilt

Channel 14: Pan Fine

Channel 15: Tilt Fine

Channel 16: Pan/Tilt Speed

POWER SUPPLY MAINS

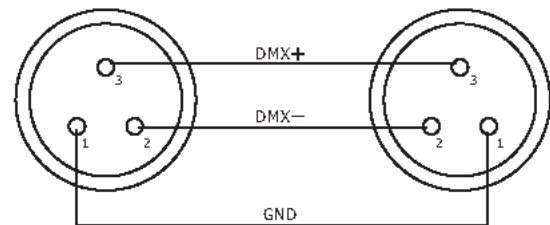
Use the plug provided to connect the mains power to the projector paying attention to the voltage and frequency marked on the panel of the projector. It is recommended that each projector be supplied separately so that they may be individually switched on and off.

IMPORTANT

It is essential that each projector is correctly earthed and that electrical installation conforms to all relevant standards. Power consumption of this projector is 200VA.

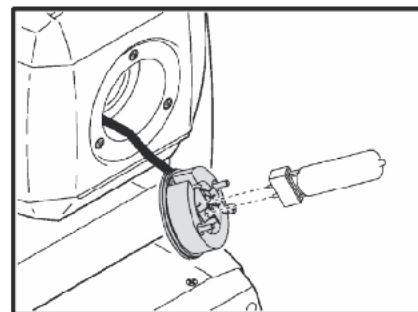
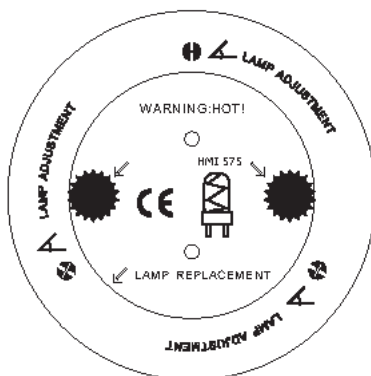
WATCHDOG SYSTEM

When the projector is switched on the electronics perform a reset, this function moves the head to an extreme limit point and rotates the internal color and gobo wheels thus allowing the microprocessor control system to register the positions of all motors under its control. When the lamp strikes and fires up it can create a certain amount of electrical noise within the projector that has the potential to disturb the microprocessor. This projector is fitted with an electronic watchdog system that monitors the microprocessor and will initiate a reset if the functioning of the microprocessor has been disturbed. This system ensures that the reset is performed successfully and once completed the projector is ready to receive control instructions and operate without problem.



INSTALL AND REPLACE LAMP

- 1, Unscrew the 2 screws at the back of the fixture, then pull out the lamp socket.
- 2, If changing the lamp, remove the old lamp from the socket.
- 3, Holding the new lamp, align the small pin on the lamp with the small hole in the socket and insert the lamp squarely.
- 4, Align the screw holes and fasten the lamp access plate with 2 screw.
- 5, Please check whether the lamp was fixed tightly. Otherwise, poor connection may lead to short-circuit discharge under high voltage.



Maintenance

Install and replace lamp, the attentions are as follows:

- ▲MSD lamp's average life is 750 hours, please check if it works out before replace it.
- ▲Draw out the line of power supply.
- ▲Cool the bulb for 10-15 minutes after it blacks out, then tweak the four screws. Open the cover, get the old bulb out and insert the new one.

Cleaning of lens system:

- ▲Wash exterior and interior optical mirrors to enhance the brightness in regular time, especially when equipment used in messy surroundings. Use mirror cleanser (or alcohol) to wash exterior mirrors in every 15/20 days, 40/60 days for interior focusing prism/reflector.

Safety information:

- ▲Do not separate the light personally.
- ▲Prevent liquid, water and metal into the equipment.

The equipment not fit for cases below:

- ▲Relative humidity is too high.
- ▲Shake and hit
- ▲Room temperature is above 40 degree or below 0 degree.
- ▲Relative temperature is below 30 degree or above 80 degree.

Notice:

- ▲In case of serious problems, stop using the equipment, and refer it to the agent or factory for checking.
- ▲Do not separate the equipment, there is no accessories for replacing use in it.
- ▲Who to check this equipment must be well qualified.
- ▲If the functional controller is used to ignite light, be cautious that the voltage will fall down immediately when many lamps are lighted. The solution to this is lighting the lamps in every five seconds one by one.
- ▲When magnetic ballast is used, make sure it is five minutes after the bulb is cooled when relight the lamps. (Electronic ballast can relight by heat)
- ▲When pull out the line of power supply, do grip the insulated housing of the plug, do not draw the line directly.

Alarm:

- ▲Replace the housing, lens and ultraviolet radiation when visible damage takes place, such as cracks.
- ▲Replace the lamp when damage happens to it or its maximum life is used up.
- ▲Shut off the power supply when replace lamp, safety box, and any other accessories and when it does not work.
- ▲Keep the ground switch connected to ground.
- ▲Power supply must meet the local standard on architecture and electric signal with overload protection and connect to earth.
- ▲Do not make light beam shine on skin, do not look at the light source directly.
- ▲Prevent short circuit happening to temperature control switch and safety box. When replace defective fuse, choose approved new fuse of the same type.
- ▲Keep the distance more than 1 M from equipment to flammable material (such as cloth, wood, paper).
- ▲Keep the distance 0.1 M from fan to vent.
- ▲When housing of equipment feels very hot, cool it for 5 minutes before operation.
- ▲Advise you to choose accessories produced by us when install and replace.
- ▲Whenever install or move equipment, set an alarm to prevent others entering job site.
- ▲Do not put your hand between side arm and light structure when light working. (shown in picture 1 by arrow)
- ▲Keep the optical system clean. Make the maintenance according to this manual when use in messy and dusty environment
- ▲Luminous flux will decrease once the mirror gets covered by fatness or dust.

Solutions to problems

Phenomenon

- ▲Lamp does not light, motor does not work itself.
When reset, indicator light of On/Off does not light.
- ▲Lamp lights, reset, but one of the protocols out of control.
- ▲Lamp not in stable control for lighting.
- ▲Light spot not bright enough.
- ▲Lamp lights, then black out, and lights again in a while.

Causes:

- ▲Power supply not in normal state, not well connected, the fuse breaks up.
- ▲Control line not connected, or connected not to the right address code, please check the address code.
- ▲Voltage is too low, lamp close to using up
- ▲Lamp close to using up, optical mirror not clean.